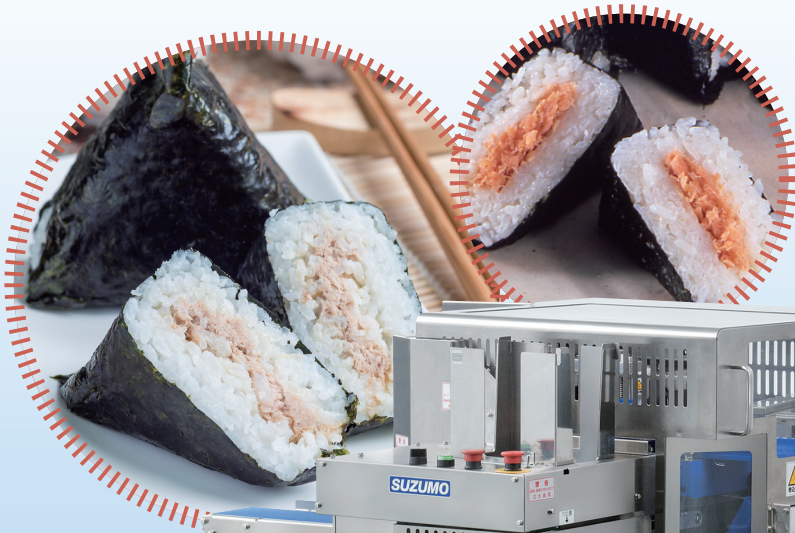


Make an authentic style OMUSUBI like handmade.

OMUSUBI Making & Wrapping Machine

ENF-MOA+ESS-PNC



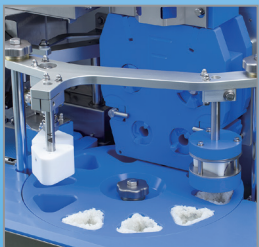
Production Capacity Max. 2,500 pcs/hr

Ingredient Detector (Optional)

Fluffy Texture

Support 10 Languages

Fill Rice and Make Hole



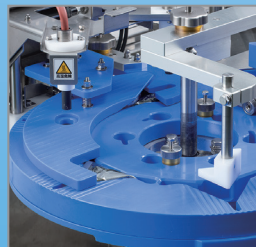
Fill Ingredients



Wrap and Form



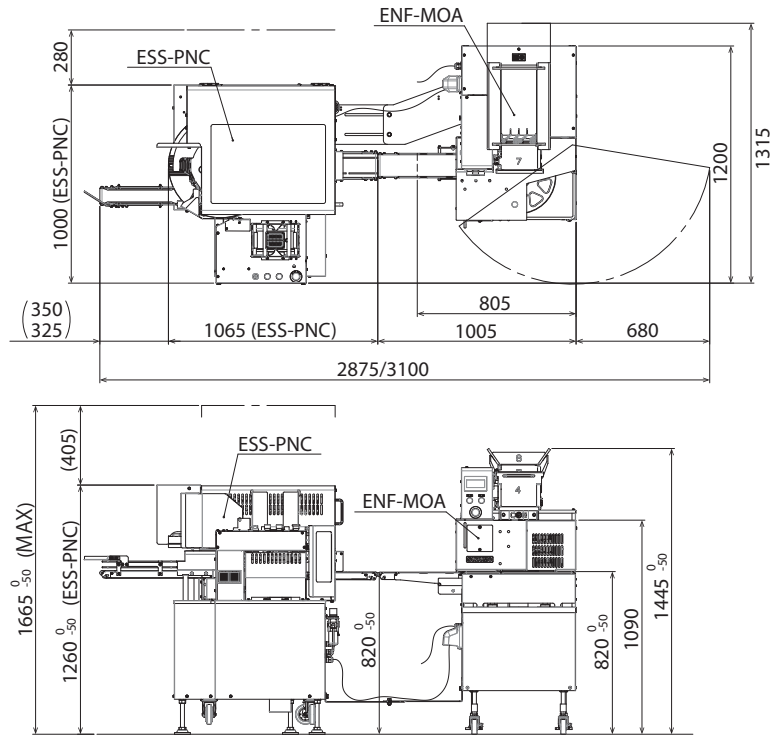
Wrap



Discharge



Dimensions



Specifications

| | |
|----------------------------|--|
| Model | ENF-MOA+ESS-PNC |
| Machine Dimensions | Wide 3100mm (Ejection Conveyor_Long) 2875mm (Ejection Conveyor_Short) Depth 1280-1315mm Height 1615-1665mm Adjustable Caster Leg +0 - +500mm |
| Capacity | 700, 1000, 1400, 1600, 1800, 2000, 2200, 2500 pcs/hr |
| Power | 3-phase, 50/60Hz Power Cable 6.5m |
| Power Consumption | 1400W (ENF-MOA: 530W, ESS-PNC: 870W) |
| Hopper Capacity | 10kg/15kg of cooked rice (Selectable) |
| Weight per Piece | 60-120g |
| Weight | Approx. 570kg (ENF-MOA: 230kg, ESS-PNC: 340kg) |
| OMUSUBI Mold Type | △ (Triangle) A Type Filling Inside / Rice Only △ (Triangle) C Type Filling Inside / Rice Only ○ (Round) A Type Filling One-Side / Rice Only |
| Supported Languages | 10 languages (Japanese, English, Chinese, Korean, Malaysian, Indonesian, Spanish, Portuguese Vietnamese, Thai) |
| Air Connection | 0.5 MPa, 340 L/min |
| Option | Ingredient Detector |

Features

- Make fluffy inside and firm outside OMUSUBI.
- Easy operation. Automatic operation with touch panel.
- Compact design. Less space for production.
- Easy maintenance and cleaning. Tools are not necessary for disassembly and assembly.
- Sturdy mechanism without consumable parts.

*Please follow the instruction in the operation manual when handling the machine. *Designs and specifications are subject to change without notice.

Suzumo Machinery Co., Ltd. Global Business Division

2-23-2, Toyotamakita, Nerima-ku, Tokyo 176-0012, Japan
Tel. +81 3-3993-1407 Fax. +81 3-3993-1756
e-mail overseas@suzumo.co.jp URL <http://www.suzumokikou.com>

< Contact in North America >

Suzumo International Corporation

Head Office : 1815 W. 205th Street, Suite 101 Torrance, CA 90501 U.S.A.
Tel. +1 310-328-0400 Fax. +1 310-328-2700 e-mail sic@suzumokikou.com

East Office : 375 North Street, Unit K, Teterboro, NJ 07608 U.S.A.
Tel. +1 201-568-1900 e-mail sic@suzumokikou.com

< Contact in Singapore >

Suzumo Singapore Corporation Pte. Ltd.

421 Tagore Industrial Avenue #04-11 Tagore 8, Singapore 787805
Tel. +65 6254-2080 Fax. +65 6254 2086 e-mail sales@suzumo-sg.com