



Professional-quality sharpness instantly available and easy for anyone to use

Roll Sushi Cutter SVC-ATD

New! Convenient
new features

- ◆ Automatic table lowering feature
- ◆ 6-/8-piece combination cutting table

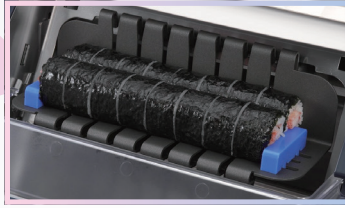
Further improved workability!



Designed to handle everything from small, medium, and large rolls to extra-large rolls and pressed sushi!



When cutting three small rolls at one time: 1,650 rolls/hr.



When cutting two medium rolls at one time: 1,100 rolls/hr.



When cutting one large roll at one time: 550 rolls/hr.



When cutting one pressed sushi at one time: 550 blocks/hr.

Nice! Increasingly evolving functionality

Enhanced visibility and usability

- ◆ Expanded input port
- ◆ Redesigned safety cover structure
- ◆ Redesigned guide block shape
- ◆ Redesigned operation switch shape

Enhanced cleanability

- ◆ Dishwasher-compatible knife edge guard fitted as standard
- ◆ Lighter washable parts

Enhanced replaceability

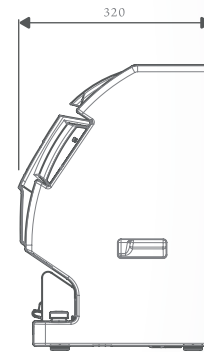
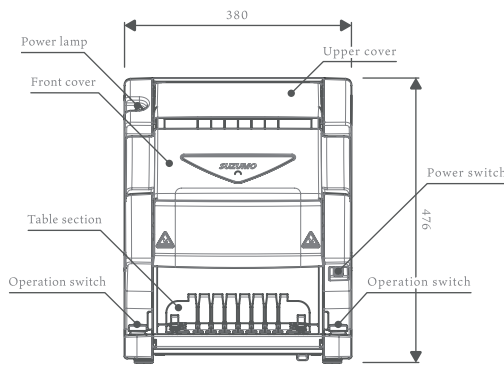
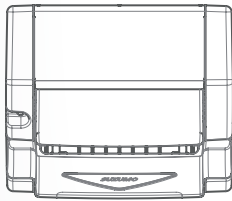
- ◆ Cutter blade replacement simplified

Easy Installation

Easy Maintenance

Easy Replacements

◆ Outline drawing



◆ Specifications

Model	SVC-ATD-WW (Equivalent to UL and NSF standards. Equivalent to CE/UKCA standards..)	
Power supply	100-240 VAC 50/60 Hz	
Maximum power consumption	160 W	
Production capacity	Small roll	1,650 rolls/hr. (when cutting three rolls at one time) 2,200 rolls/hr. (when cutting four rolls at one time)
	Medium roll	1,100 rolls/hr. (when cutting two rolls at one time)
	Large roll and pressed sushi	550 rolls (blocks)/hr.
Machine dimensions	380 (W) × 320 (D) × 476 (H) mm	
Machine weight	Approx. 17 kg (without power cable)	
Power cable	To be selected depending on the region.	
Number of rolls (blocks) to be cut per time	Small roll	φ25 mm roll × 3 (3 rolls × 1) φ25 mm roll × 4 (2 rolls × 2)
	Medium roll	φ35 mm roll × 2 (2 rolls × 1)
	Large roll	φ46 mm roll × 1 (φ60 mm max.)
Support range	80 (D) × 60 (H) mm Length: 180 to 200 mm, 230 mm max. (special order)	
Optional accessories (separately available)	Anti-Contamination Cover	

■ The specifications and design are subject to change without notice.



SuzumoMachinery Co., Ltd. Global Business Department
<https://www.suzumokikou.com>

Headquarters 4-10-1 Nakano, Nakano-ku, Tokyo, Japan
e-mail overseas@suzumo.co.jp
Tel. +81 3-3993-1407



Contact Us